



What is a Liberty Grouping?

Liberty Groupings are customized furniture groupings for any room and purpose you can think of; created exclusively by Inwood Furniture Manufacturing. Liberty Groupings are designed by choosing from a variety of multi-dimensional components. These components are offered in different types of wood and a variety of styles.

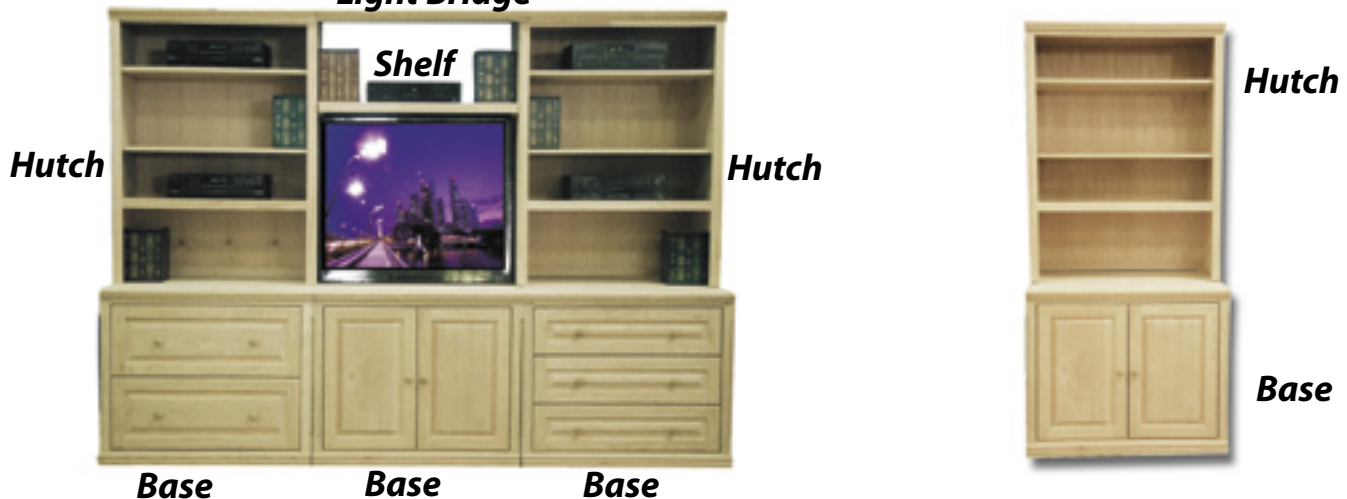


Liberty Furniture Grouping example

Multi-dimensional Components

The basic building blocks of Liberty Furniture Groupings consist of hutches and bases that are available in many dimensions (i.e. a variety of widths, depths and heights). Other complimentary components are also available to complete a Furniture Grouping. e.g. desk tops, light bridges, corner desks and much more.

Light Bridge



Types of Wood

Liberty Furniture Groupings are available in four varieties of wood: Oak, Pine, Maple and Paint Grade.

Variety of Styles

Liberty Furniture Groupings are available in a wide variety of styles. From Modern to Traditional and almost everything in between. Please refer to the following pages to see the different available styles.





LIBERTY® - Components

Types of Wood

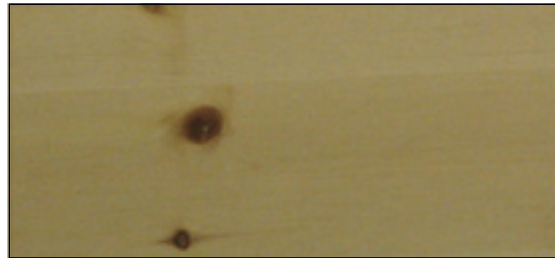
Liberty Furniture groupings are available in four types of Wood : **OAK, PINE, MAPLE** and **PAINT GRADE**.

Due to the nature of Real Wood the grain, wood knots, color and general appearance of the wood will vary. These variations enhance the beauty of the final product and do not affect functionality in any way.

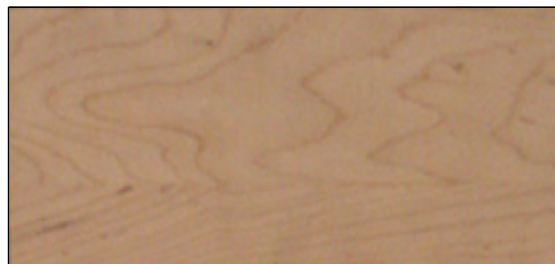
OAK



PINE



MAPLE



**PAINT
GRADE**

This material is suitable for
PAINTING ONLY -
DO NOT stain or varnish.

Styles available for all Liberty Groupings

Basic/BA

No Top or Bottom Molding

All units taller than 66" will have a permanent shelf 30" from the floor.



Contemporary/CT

No Top or Bottom Molding

All units taller than 66" will have a permanent shelf 30" from the floor.



Arch/AC

No Top or Bottom Molding

All units taller than 66" will have a permanent shelf 30" from the floor.



Arch - TRW/ACT

Full Wrap Top and Bottom Molding

All units taller than 66" will have a permanent shelf 30" from the floor.

Flared molding is used for units taller than 66".



Flat molding is used for all units 66" or less.





Traditional/TR

Front only Top and Bottom Molding

All units taller than 66" will have a permanent shelf 30" from the floor.



Flat molding is used for all heights.

Traditional Wrap/TRW

Full Wrap Top and Bottom Molding

All units taller than 66" will have a permanent shelf 30" from the floor.

Flared molding is used for units taller than 66".



Flat molding is used for all units 66" or less.

Traditional Rope/TP

Full Wrap Top and Bottom Molding

All units taller than 66" will have a permanent shelf 30" from the floor.

Flared molding is used for units taller than 66".



Flat molding is used for all units 66" or less.

Traditional - Fluted - Rope/TFP

Full Wrap Top and Bottom Molding

All units taller than 66" will have a permanent shelf 30" from the floor.

Flared molding is used for units taller than 66".



Flat molding is used for all units 66" or less.

Styles shown on this page can also have full wrap molding.
Please refer to the Liberty ordering guide for details.

Heritage/H

Front only Top and Bottom Molding

All units taller than 66" will have a permanent shelf 30" from the floor.



Flat molding is used for all heights.

Heritage Rope/HP

Front only Top and Bottom Molding

All units taller than 66" will have a permanent shelf 30" from the floor.



Flat molding is used for all heights.

Rosette/R

Front only Top and Bottom Molding

All units taller than 66" will have a permanent shelf 30" from the floor.



Flat molding is used for all heights.

Rosette Rope/RP

Front only Top and Bottom Molding

All units taller than 66" will have a permanent shelf 30" from the floor.



Flat molding is used for all heights.





Shaker/SH

Full Wrap Top Molding only

All units taller than 66" will have a permanent shelf 30" from the floor.



Crown/CR

Front only Top and Bottom Molding

All units taller than 66" will have a permanent shelf 30" from the floor.

CR molding is used with an extra overhang for units taller than 66".



Flat molding is used for all units 66" or less.

Regal/RE

Full Wrap Top Molding only

All units taller than 66" will have a permanent shelf 30" from the floor.

Flared molding is used for units taller than 66".



Flat molding is used for all units 66" or less.

Vintage/V

Full Wrap Top Molding only

All units taller than 66" will have a permanent shelf 30" from the floor.

Flared molding is used for units taller than 66".



Flat molding is used for all units 66" or less.



Basic Building Blocks Dimensions

(Hutches and Bases)

The basic building blocks of any Liberty Furniture Groupings are Hutches and Bases. These come in a wide variety of standard dimensions. You can also have dimensions (i.e. non-standard dimensions) that are in between the dimensions shown. When choosing a non-standard dimension, please use a whole number (no fractions). e.g. width 22", or height 46".

Base - No Uprights

STANDARD WIDTHS: 18", 24", 30", 32", 36", 42"

STANDARD HEIGHTS:

24", 30", 36", 42", 48",
54", 60", 66", 72", 78",
84", 90", 96"

STANDARD DEPTHS:

10", 12", 16", 20", 24"



Hutch - No Uprights

STANDARD WIDTHS: 18", 24", 30", 32", 36", 42"

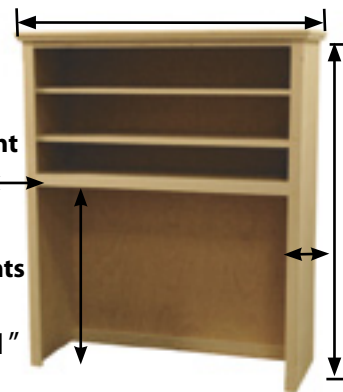
STANDARD HEIGHTS:

24", 30", 36", 42", 48",
54", 60", 66", 72", 78",
84", 90", 96"

STANDARD DEPTHS:

10", 12", 16", 20", 24"

Permanent Shelf
Permanent Shelf Heights (standard)
15", 20", 31"



A hutch is a base that has had its bottom shelf moved up by 15", 20" or 31". A hutch opening, i.e. 15", 20" or 31" is from the bottom of the hutch to the bottom of the permanent shelf's face frame. Heights for the permanent shelf can also be non-standard if desired.

Hutch or Base - Single Upright

STANDARD WIDTHS: 48", 54", 60"

STANDARD HEIGHTS:

24", 30", 36", 42", 48", 54",
60", 66", 72", 78", 84", 90", 96"

STANDARD DEPTHS:

10", 12", 16", 20", 24"



Hutch or Base - Double Uprights

STANDARD WIDTHS: 48", 54", 60"

STANDARD HEIGHTS:

24", 30", 36", 42", 48", 54",
60", 66", 72", 78", 84", 90", 96"

STANDARD DEPTHS:

10", 12", 16", 20", 24"

Measurements for the openings (compartments) are shown below for the following Double Upright widths: 48", 54" and 60"



Openings for 48" wide:	12",	17",	12"
Openings for 54" wide:	14",	19",	14"
Openings for 60" wide:	14",	25",	14"



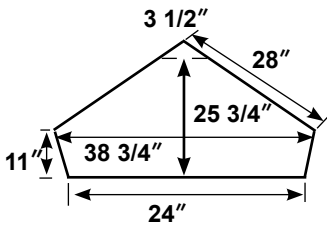
LIBERTY® - Components

Corner Units For Liberty Furniture

Corner units add interest and variety as well as a practical element to your Liberty Furniture Groupings. We offer different styles of corner units to suit every need and purpose. These corner units are offered in the following heights: 24", 30", 36", 42", 48", 54", 60", 66", 72", 78", 84", 90", 96", and the widths and depths shown in the diagrams below.

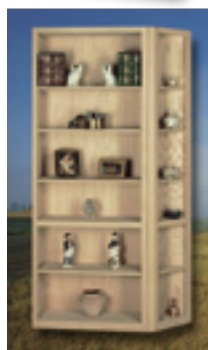
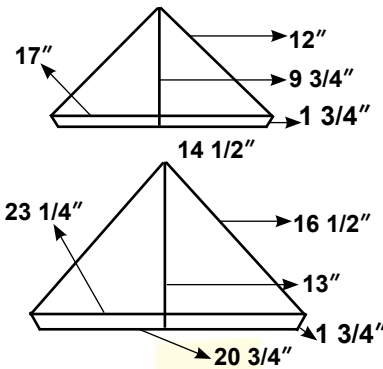
Corner, CC_
Offered in 12" deep only.

TOP VIEW



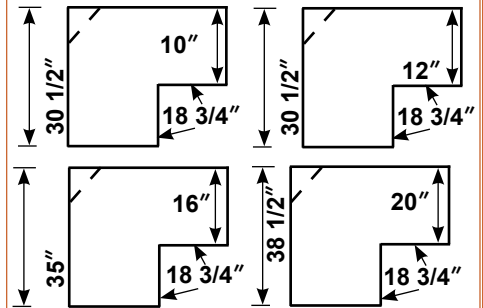
Endcap, CC_CAP
Offered in 12" and 16" deep only.

TOP VIEW



L-Shape, L_
Offered in 10", 12", 16" and 20" deep.

TOP VIEW



Drawer Fronts

Liberty® drawers are available with different profiles. When choosing drawers you have a choice of any of the designs shown below. All drawers are Dove-tailed construction for extra sturdiness and durability.

Drawer Front Profiles



Square profile



Traditional profile



Shaker profile



Rounded profile



Bead Board Drawer Front/BBDW
available in all four profiles shown above.



Slab Drawer Front/SLDW
available in all four profiles shown above.



Square Raised Panel Drawer Front /RPDW
available in all four profiles shown above.



Square Flat Panel Drawer Front/FPDW
available in all four profiles shown above.



Finger Grooved Drawer Front/FGDW available as shown only.





LIBERTY® - Components

Doors

To complete your Liberty Furniture Grouping we offer many choices of doors. Doors can be added to your Liberty Furniture Grouping to complete that customized or unique look that you want. To add that extra dimension to your furniture grouping, please choose your door style from the doors shown.



Square Raised Door /RPD



Curved Raised Door /CRD



Arched Raised Door /ARD



Glass Panel Door /GPD



Curved Glass Door /CGD



Arched Glass Door /AGD



Doors *Continued...*



Bead Board Door /BBD



Curved Bead Door /CBD



Arched Bead Door /ABD



Flat Panel Door /FPD



Curved Flat Door /CFD



**Slab Door /SLD
(Shaker profile)**



**Finger Grooved Door /FGD
(contemporary profile)**



Mullion Panel Door /MPD



Mullion Curved Door /MCD

